

Description

A unique polyurethane adhesive repair-material for plastic components. For structural or cosmetic repair of plastic-bumpers, fenders, spoilers, lamp-housings, radiators etc. in the automotive and other industries, where quick cure time on almost any type of plastic material is needed.

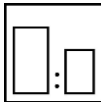

Features & Benefits

- curing time 1-2 min
- further working (sanding, thread cutting etc.) after 10-30 min; overpaintable after 60 min
- resistant to oils, solvents, acids etc.
- solvent free.

Substrate preparation

Surfaces to be treated must be clean, dry and grease-free. Where possible, carry out abrading to remove paint from the surface and to increase strength and hold of the adhesive.

Application data

| | |
|---|--|
|  | Mixing ratio Use mixing tips! Component A 1 (parts by vol.) Component B 1 (parts by vol.) |
| | Application The mixture must be applied directly from the application gun immediately after mixing. Layer thickness: min 0,2 mm Both components (A, B) have to be assembled within the first minute of extrusion of the adhesive and sealed with a steady pressure over the adhesive area. |
|  | Working time at 20 °C/68 °F 90 sec. |

Complementary products

Mixing tips (Prod. Nr. 4942)

Application Gun (Prod. Nr. 4905)

| Prod. Nr. | Description | Volume | Packaging Box |
|-----------|-------------|--------|---------------|
| 5050 | Black | 50 ml | 2 |

Shelf life

Min. 12 months from the production date under normal storage conditions.

Additional Information

FOR PROFESSIONAL USE ONLY!

Always read the instructions.

IMPORTANT: This product contains hazardous substances at work so it is necessary to always use/wear appropriate protective equipment. For further instructions, check the label on the product and safety data sheet. A person who uses the product for any purpose other than recommended in this technical data sheet, acts at his own risk. It is the user's responsibility to take all necessary steps to fulfil the local legislation.

Materials described are designed for application by professional, trained personnel using proper equipment and are not intended for sale to the general public.

Information and methods described are based on the best information and practices known to us and serve merely as guidelines for optimal use, without liability to performance, results or fitness for any intended use. We do not accept any responsibility for the behaviour of the product or damage arising from the use of the product. Before using the product, the user must check if this is the latest version.

All products mentioned in this data sheet are trademarks owned by Silco.